

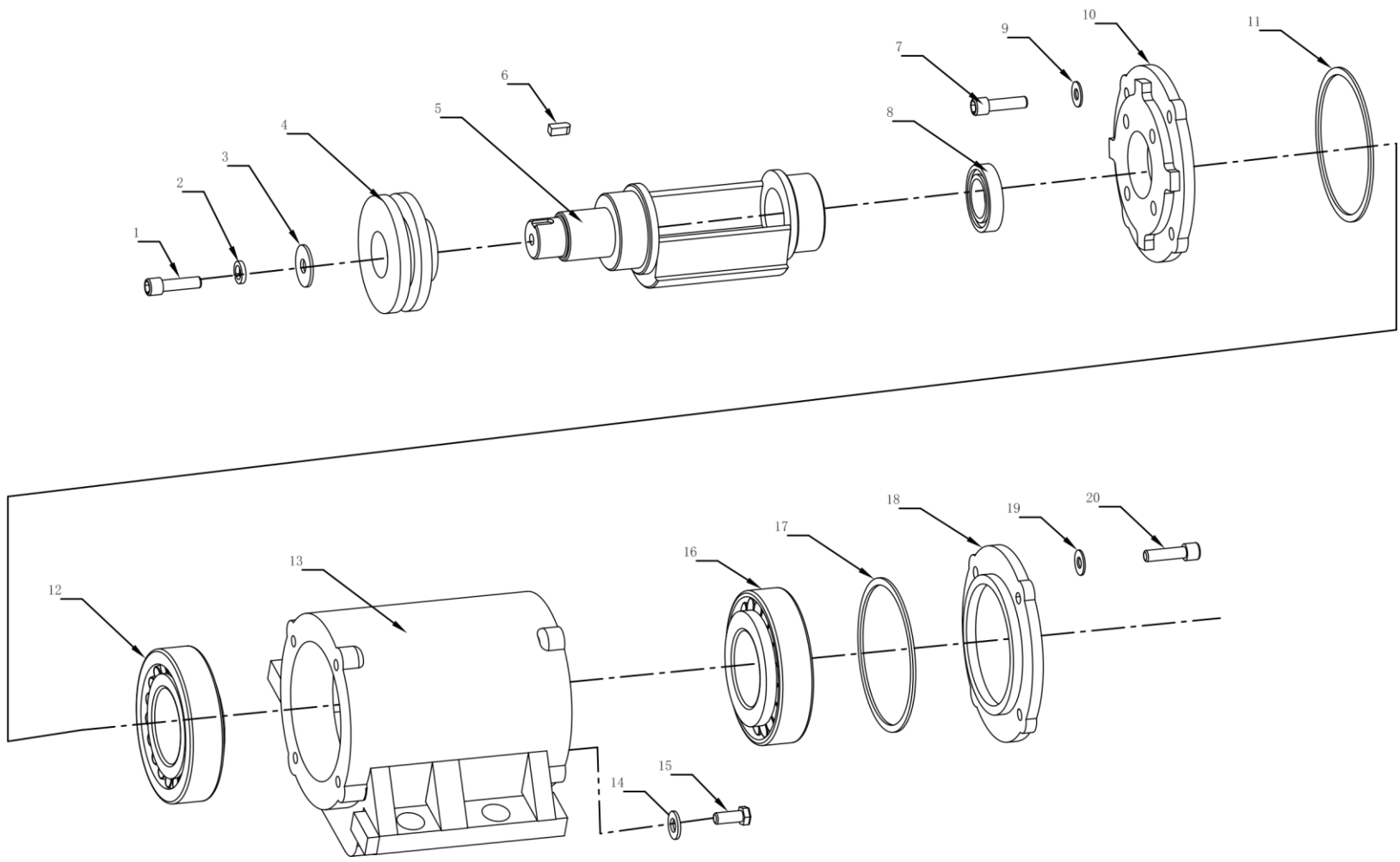
C60T General assembly spare parts list (figure 1)

No.	Item	Description	specification	Quantity
1	600101	Protective frame		1
2	600102	Flat gasket	8	2
3	600103	Spring gasket	8	2
4	600104	External hexagon bolt	M8*25	2
5	600105	Knob handle		1
6	600106	Nut	M20	1
7	600107	Upper handle		1
8	600108	Plum blossom Nut	M10	2
9	600109	Locked nut	M10	2
10	600110	Flange bolt	M10*35	2
11	600111	lower handle		1
12	600112	Handle gluesheath	25*43	2
13	600113	Enlarged flat gasket	Ø12*35	2
14	600114	Outside bolt	M12*80	2
15	600115	wheel		2
16	600116	conical gasket	M8*30	1
17	600117	Outside bolt	M8*30	1
18	600118	Spring gasket	8	1
19	600119	Clutch assembly		1
20	600120	Spring gasket	8	1
21	600121	Outside bolt	M8*35	1
22	600122	Flat gasket	8	1
23	600123	Belt cover		1
24	600124	Belt	B-762	1

25	600125	Dust-prevent plate		1
26	600126	Enlarged flat gasket	Ø8*30	1
27	600127	Outside bolt	M8*20	1
28	600128	Locked nut	M10	4
29	600129	Enlarged flat gasket	Ø10*35	4

30	600130	Shock absorber of bottom plate		4
31	600131	Flat gasket	10	4
32	600132	Spring gasket	10	4
33	600133	nut	M10	4
34	600134	Engine support plate		1
35	600135	Bottom plate		1
36	600136	Vibrator		1
37	600137	Outside bolt	M8*40	2
38	600138	Clamp plate		2
39	600139	Flat gasket	16	4
40	600140	Spring gasket	16	4
41	600141	Inner hexagon bolt	M16*40	4
42	600142	Engine		1
43	600143	Flat gasket	8	4
44	600144	Locked nut	M8	8
45	600145	Key	5*40	1
46	600146	Flat gasket	8	2
47	600147	Spring gasket	8	2
48	600148	External hexagon bolt	M8*25	2
49	600149	Flat cross bolt	M8*25	2
50	600150	Shock absorber of handle	35*15	2

51	600151	Water tank		1
52	600152	Wheels frame		1
53	600153	Water valve		1
54	600154	Clamp		2
55	600155	Water pipe		1
56	600156	Iron Water pipe		1
57	600157	Flange bolt	M8*30	2
58	600158	Nut	M8	1



**C60 Exciter Spare Parts List(Figure 2)**

No.	Item	Description	Specification	Quantity
1	600201	Inner Hexagon bolt	M10*25	1pc
2	600202	Spring Gasket	Ø10	1pc
3	600203	Enlarged Flat Gasket	Ø10*35	1pc
4	600204	Pulley		1pc
5	600205	Eccentric Shaft		1pc
6	600206	Key	8*20	1pc
7	600207	Inner Hexagon bolt	M8*20	4pcs
8	600208	Oil Seal	35*48*10	1pc
9	600209	Spring Gasket	Ø8	4pcs
10	600210	Case Cover(Pulley)		1pc
11	600211	“O” Ring	100*3.1	1pc
12	600212	Bearing	6211	1pc
13	600213	Vibrating Case		1pc
14	600214	Copper Gasket	Ø12	1pc
15	600215	Oil Drainage Bolt	M12	1pc
16	600216	Bearing	6211	1pc
17	600217	“O” Ring	100*3.1	1pc
18	600218	Case Cover(shut-off)		1pc
19	600219	Spring Gasket	Ø8	4pcs
20	600220	Inner Hexagon bolt	M8*20	4pcs